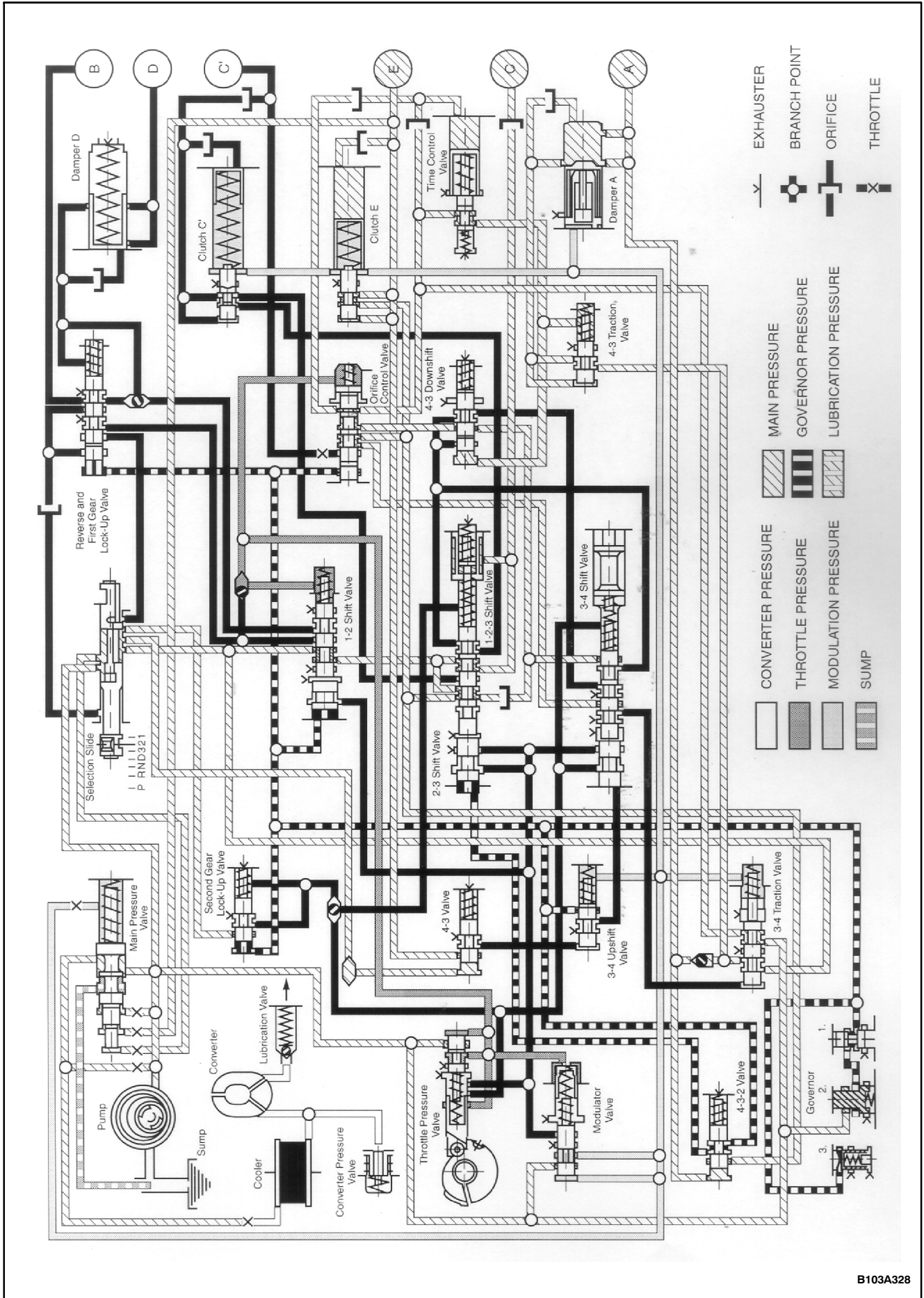
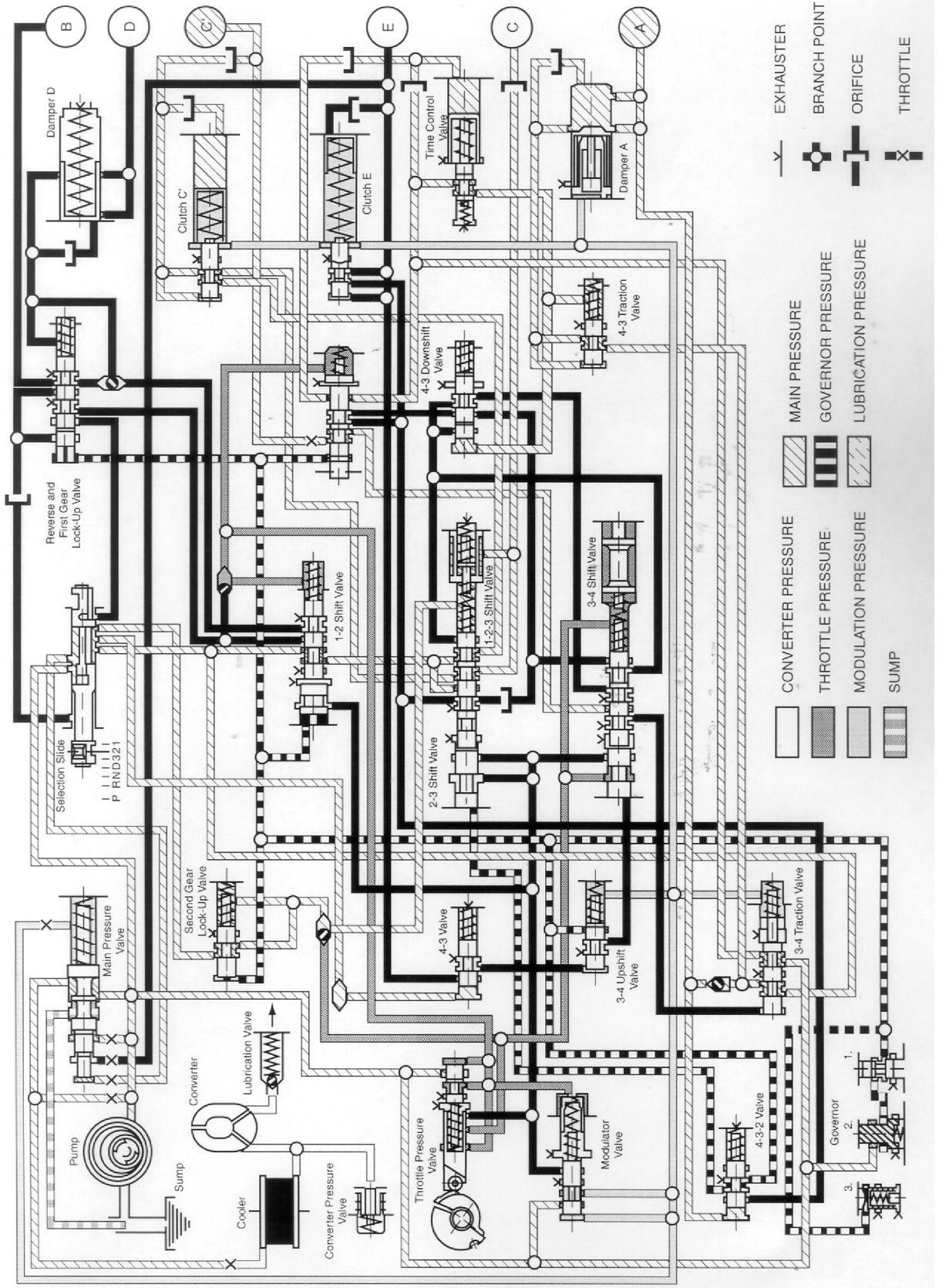


POSITION 2 - THIRD GEAR, IDLING



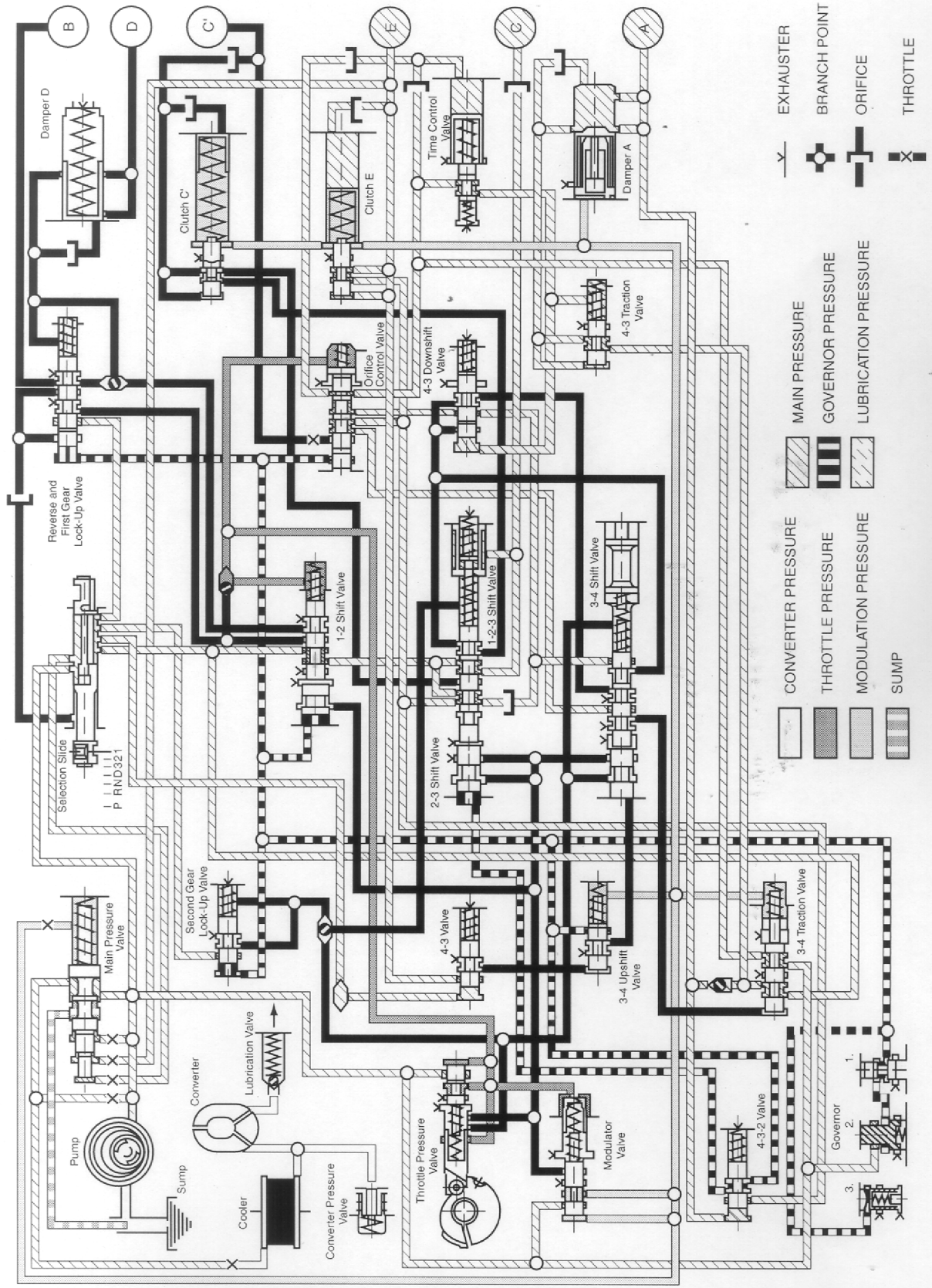
B103A328

POSITION 2 - SECOND GEAR, FULLY ACCELERATED



B103A329

POSITION 1 - THIRD GEAR, IDLING



	EXHAUSTER		MAIN PRESSURE
	BRANCH POINT		GOVERNOR PRESSURE
	ORIFICE		LUBRICATION PRESSURE
	THROTTLE		CONVERTER PRESSURE
			THROTTLE PRESSURE
			MODULATION PRESSURE
			SUMP

B103A330